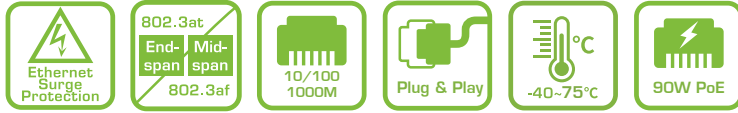


# S69-220

## Industrial Gigabit Dual Power Output PoE Splitter

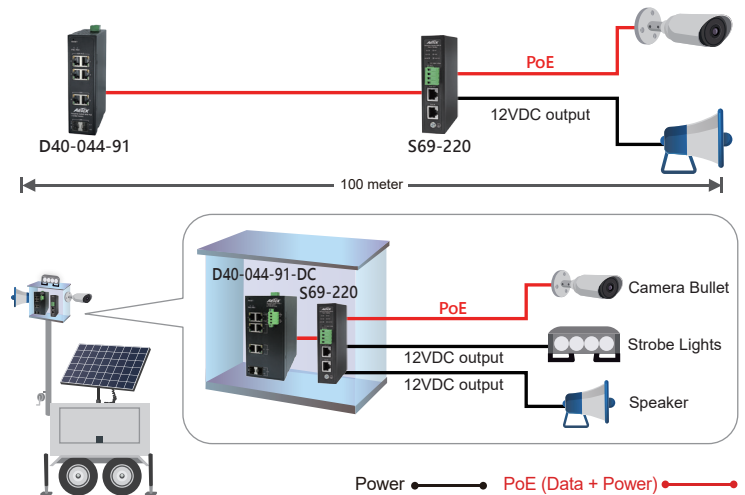


S69-220 is an industrial dual power output PoE Splitter which supports 802.3af/bt output standards. Powered by any Power Sourcing Equipment (PSE) that supports 802.3af/bt standards, S69-220 can split the output into 2 forms, DC voltage and PoE, to fulfill both DC power and PoE demands at the same time. With this feature, S69-220 can supply PoE to PoE input supported IP devices, and DC power to non-PoE IP devices simultaneously. This space-saving design eliminates additional power receptacles which usually take up too much room.

### Features

- 2\* 10/100/1000Mbps RJ45 Port
- 1\* 5V/9V/12V/24VDC power output interface
- Support IEEE802.3, IEEE802.3u, IEEE802.3ab, IEEE802.3af, IEEE802.3at IEEE802.3bt Standards
- 802.3 af/at/bt PoE Input
- 802.3 af/at/bt PoE Output

### Applications



### Technical Specifications - Hardware

		S69-220
<b>Networking Specifications</b>		
Gigabit Ethernet 10/100/1000Mbps (RJ45)		2
Network Media(Cable)		10BASE-T: UTP category 3,4, 5 cable (≤100m) 100BASE-TX: UTP category 5,5e cable (≤100m) 1000BASE-T: UTP category 5e,6 cable (≤100m)
LED		Power, 5VDC, 9VDC, 12VDC, 24VDC, PoE
Dimensions (WxHxD)		120 *100 *32 mm
RJ45 PoE Input Power Pin Assignment		1/2 (+), 3/6 (-); 4/5 (+), 7/8 (-) or 1/2 (-), 3/6 (+); 4/5 (+), 7/8 (-)
PoE Input		802.3 bt/at/af PoE
Output Power	PoE Output	802.3 bt/at/af PoE
	DC Power Output	5V/14A, 9V/7.7A, 12V/5.8A, 24V/2.9A @ 802.3 bt Input
	Total Power Budget	70W @ 802.3bt PoE Input
Operating Temperature		-40°C ~ 75 °C (-49°F ~ 167°F)
Storage Temperature		-40°C ~ 80°C (-40°F ~ 176°F)
Operating Humidity		10% ~ 90% RH non-condensing
Storage Humidity		5% ~ 90% RH non-condensing
Surge Protection		6KV